



## Ermes ATS

Switch



# ERMES ATS

## Highlights

- Redundant power supply for equipment with a single power input by managing two power supplies
- High transfer speed (8-12 ms)
- The LCD screen makes it easy to control
- Minimum space: 1U for 16 A and 2U for 32 A
- EPO for added security
- The ITS version, with manual bypass and hot-swappable ATS, guarantees 100% power continuity
- Outlet sockets:
  - Version 16 A: 8 x IEC C13 e 1 x IEC C19
  - 32 A version: 12 x IEC C13 e 2 x IEC C19 + terminals
- USB and RS232 ports, dry contacts card and slot for optional communication cards

## Options

- RS485 and SNMP/web cards for remote management

## ERMES

# Automatic load transfer systems

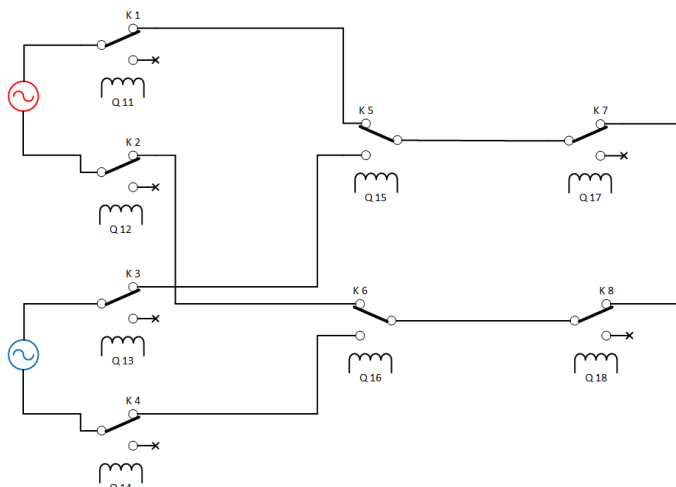
These devices guarantee redundant power to equipment with a single power supply



## Applications

- Server rooms
- Data centers
- Network equipment
- Video surveillance and security equipment

## Block Diagram

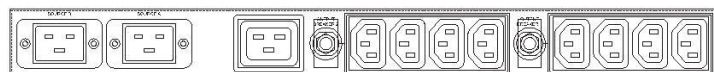


# ERMES ATS

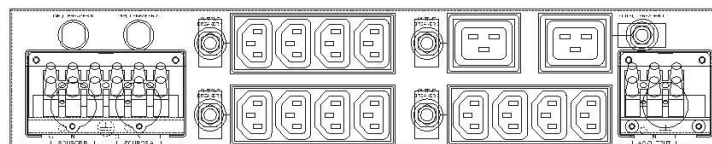
## ERMES ATS TECHNICAL DATA SHEET

MODEL		ERMES 16A	ERMES 32A	ERMES 32A BP
MAXIMUM CURRENT (A)		16	32	32
ENTRY	Nominal voltage	200 / 208 / 220 / 230 / 240 Vac (± 5% / 10% / 15% / 20%)		200 / 208 / 220 / 230 / 240 Vac (± 5% / 10% / 15% / 20%)
	Frequency	50 / 60 Hz (selectable)		
	Input sockets	2 x IEC-C20	2 x 30 A terminal blocks	2 x 30 A terminal blocks
OUTPUT	Nominal voltage	200 / 208 / 220 / 230 / 240 Vac		200 / 208 / 220 / 230 / 240 Vac
	Maximum output current	16	32	32
	Transfer time	8–12 ms		
	Output sockets	8 x IEC-C13 1 x IEC-C19	12 x IEC-C13 + 2 x IEC-C19 1 32 A terminal block	12 x IEC-C13 + 2 x IEC-C19
CONNECTIVITY	Built-in communication ports	RS232, USB, EPO, Dry relay contacts (5 output)		
	User interface	LED (source A and/or B, fault) + LCD (parameters: alarms, faults)		
	Optional accessories	RS485 and SNMP/Web cards		
GENERAL	Dimensions (WxDxH) mm	440x275x44	440x275x88	440x346x88
	Weight (kg)	4	6	8
	Protection Class	Short circuit downstream		
ENVIRONMENTAL PARAMETERS	Temperature / Humidity	-5°C to + 40°C / 0%–90% non-condensing		
REGULATIONS	Standards	IEC EN 62368-1, IEC EN 62310-2		
	Marking	CE, UKCA		

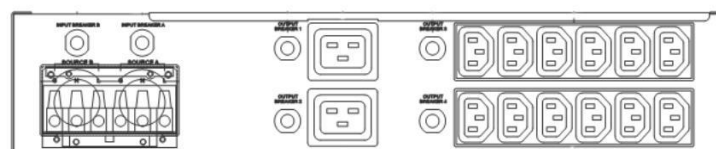
**ERMES 16A**



**ERMES 32A**



**ERMES 32A BP**





**Innovative solutions**

**Maximum  
protection  
control and  
power quality**



Rev.2025/03 - Our commitment to continuous innovation means that catalogue data may be subject to change without notice

**AblereX Electronics Italy srl**

Viale Milanofiori - Strada 6 - Palazzo N1  
20089 Rozzano (MI)

info@ablereX.eu - Tel. +39 02 36696420

[www.ablereX.eu](http://www.ablereX.eu)